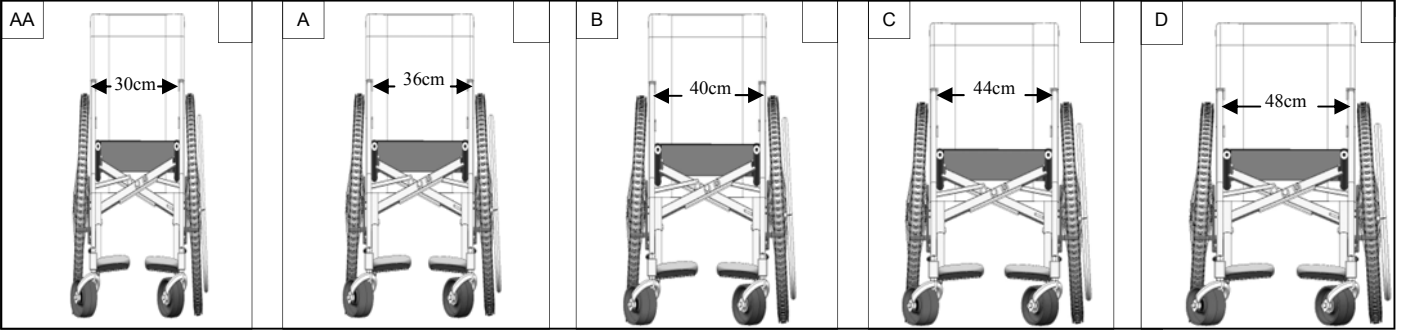


1

SEAT WIDTH



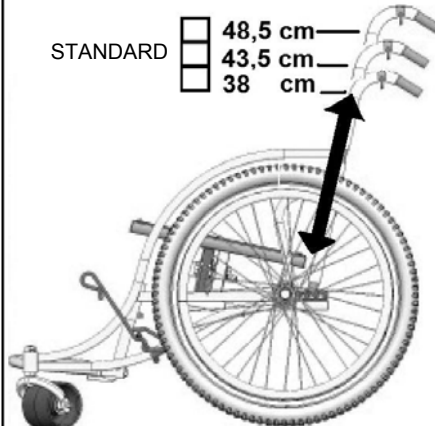
2

REAR WHEEL POSITION  
(ADJUSTABLE. POSITION 3 RECOMMENDED)



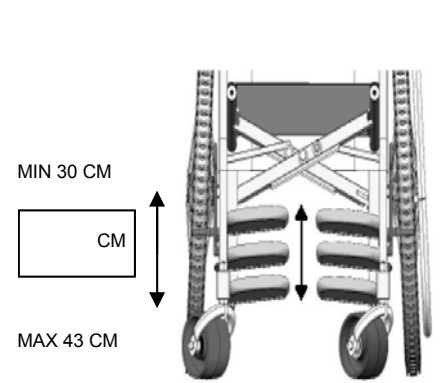
3

BACKREST HEIGHT  
(CHOOSE ONE)



4

FOOTREST HEIGHT  
(INCLUDING 5MM CUSHION)



Name, Surname:

Date:

Contact Info:

## ROUGH RIDER (SÜVARI) Technical Specifications

Effective Seat Widths:	305mm (12") / 355mm (14") / 400mm (15.75") 440mm (17.3") / 480mm (18.9") (Seat fabric will be narrower than effective seat width)
Seat Depth:	405mm (16")
Seat Height:	485mm (19") (ground to front edge of upholstery)
Seat Angle:	12 degrees
Seat/Backrest Angle:	90 degrees
Backrest Height:	435mm (17") standard 380mm (15") / 485mm (19") optional
Footrest Height from Front of Seat Upholstery:	270mm–400mm (10.6-15.75")
Rear Tire Size:	24 x 1.75"- 24 x 2.00" standard
Rear Wheel Camber:	3 degrees
Rear Wheel Bearings:	6201 (12mm ID x 32mm OD)
Caster Bearings:	6301 (12mm ID x 37mm OD)
Rear Axles:	12mm (Class 8.8 hardness - Grade 5)
Pushrim Diameter:	485 - 510mm (19 - 20")
Front Wheel Diameter/Width:	80mm (3.1") x 110mm (4.3")
Front Wheel Bearing:	Standard bicycle hub and bearings
Overall Width:	229mm (9") + Actual Seat Width
Overall Length:	Min. 910mm (36") - Max. 990mm (39")
Wheelbase: (front/rear axle)	Min. 480mm (19") - Max. 560mm (22")
Rear Wheel Adjustability:	5 positions over 80mm (3.15")
Weight:	20 kg

SÜVARI Technical Specifications are approximate.

### KİFAS ORTOPEDİK ÜRÜNLER SAN. VE TİC. LTD. ŞTİ

İVEDİK OSB HAS EMEK KOOP. 1468.Cad No: 47 / 06370 YENİMAHALLE- ANKARA

Tel. +90 (0312) 395 6652 Fax. +90 (0312) 395 6684 GSM: +90 0530 400 3450

bilgi@kifas.com.tr www.kifas.com.tr