



# URBAN

WHEREVER YOU GO, YOU CAN DEPEND ON **URBAN**



**MANUFACTURED IN TURKEY!**

*SINCE 1992*

**ECONOMICAL, DEPENDABLE,  
DURABLE AND ADJUSTABLE**

FOOTRESTS SWIVEL  
OUTWARDS



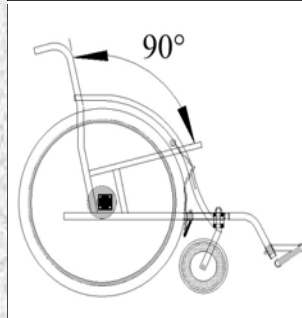
FOLDS COMPACTLY



FOOTRESTS FOLD  
INWARDS



BUILT-IN  
LUMBAR SUPPORT!



**CUSTOM ADJUSTABILITY:**

- SEATING WIDTH
- UPHOLSTERY TENSION
- LOWER BACK SUPPORT
- REAR WHEEL ANGLE
- FOOTREST HEIGHT
- CENTER OF GRAVITY



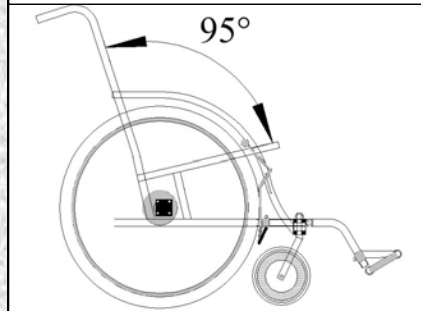




# SECURE

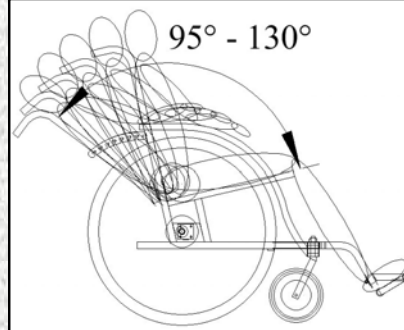


HIGHER BACKREST AND 95°  
SEAT-BACK ANGLE FOR EXTRA SUPPORT



# SECURE FLEXI

95° - 130° BACKREST RANGE



**ACCESSORIES  
INDIVIDUALIZED FOR  
SUPPORT & COMFORT**

- CURVED CRADLE HEADREST
- PADDED ARMRESTS
- ABDUCTOR BLOCK PORTABLE
- THERAPY TRAY CHEST
- SUPPORTS
- CUSTOM SEAT CUSHIONS
- CUSTOM BACKREST CUSHIONS
- ANTI-TIP WHEELS

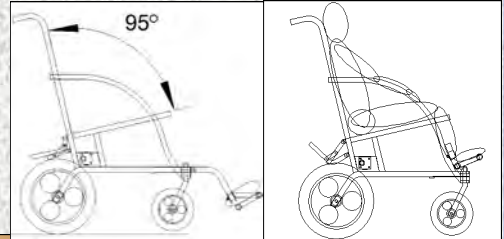
*CUSTOM FITTING BY  
APPOINTMENT!*







**SKUTER**



SUPPORT-GIVING STROLLER FOR ALL AGES



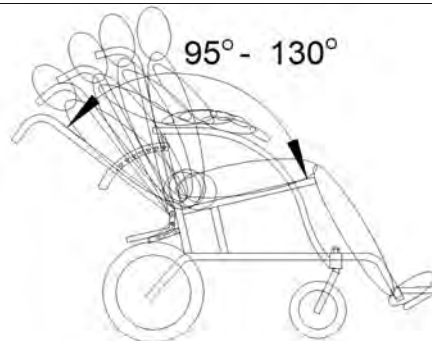
ACCESSORIES FOR INDIVIDUAL SUPPORT & COMFORT:

- SINGLE-PALETTE FOOTREST
- ARMRESTS
- CURVED or CRADLE HEADREST
- SUNSHADE
- SIDE WEDGES
- LEG SLING
- THERAPY TRAY
- BACKREST CUSHION



**SKUTER FLEXI**

BUILT-IN, HINGED ADJUSTABLE BACKREST





# CUSTOM-MADE CHAIRS

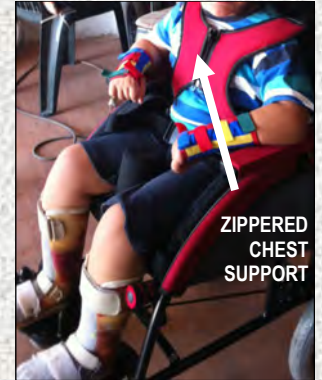
# INCLUDED AND OPTIONAL ACCESSORIES



- ### STANDARD MECHANICAL FEATURES
- LIGHTWEIGHT TUBULAR CONSTRUCTION
  - HORIZONTAL FOLDING MECHANISM
  - ADJUSTABLE, FOLDING AND SWIVELING FOOTRESTS (ADULT)
  - SOLID FRONT WHEELS
  - PNEUMATIC REAR WHEELS
  - ADJUSTABLE REAR WHEEL CAMBER (24" WHEELS)

- ### ACCESSORIES NOT SHOWN
- POLYURETHANE FRONT TIRES
  - POLYURETHANE REAR TIRES
  - WOODEN-BASE CUSHION
  - CORRECTIVE SEAT CUSHION

- ### INCLUDED UPHOLSTERY
- BACKREST
  - SEAT
  - SIDE MUD-GARDS
  - SEAT BELT
  - FOOTSTRAPS



	RANGE OF WIDTH ADJUSTABILITY (MINIMUM - MAXIMUM WIDTHS CM)						
CHILD	30	32,5	35	37,5	40		
ADULT			35	37,5	40	42,5	45
EXTRA LARGE						45	47,5 50

NOTE 1: ALL SPECIAL DESIGN REQUESTS NOT INCLUDED IN **GUARANTEE** AND ARE THE SOLE RESPONSIBILITY OF THE PURCHASER AND SUBJECT TO SEPARATE PRICING.

NOTE 2: WHEELCHAIR, TOGETHER WITH ACCESSORIES, NOT SUBJECT TO VAT. ITEMS SOLD SEPARATELY SUBJECT TO 8-18% VAT.

**KİFAS ORTOPEDİK ÜRÜNLER SAN. VE TİC. LTD. ŞTİ.**

GSM +90 530 400 3450

İvedik O.S.B. Has Emek Koop. 1468 Cad. No:47 Yenimahalle / ANKARA 06370 Tel: +90(312) 395 66 52 Fax: +90(312) 395 6684 www.kifas.com.tr sales@kifas.com.tr