



URBAN

WHEREVER YOU GO, YOU CAN DEPEND ON **URBAN**



FOR OVER 25 YEARS
CUSTOMERS HAVE RELIED ON **URBAN**:
*ECONOMICAL, DEPENDABLE,
DURABLE, AND ADJUSTABLE*

FOOTRESTS SWIVEL
OUTWARDS



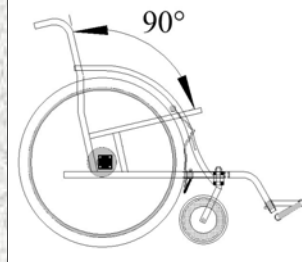
FOLDS COMPACTLY



FOOTRESTS FOLD
INWARDS



BUILT-IN
LUMBAR SUPPORT!



CUSTOM ADJUSTABILITY:

- SEATING WIDTH
- UPHOLSTERY TENSION
- LOWER BACK SUPPORT
- REAR WHEEL ANGLE
- FOOTREST HEIGHT
- CENTER OF GRAVITY



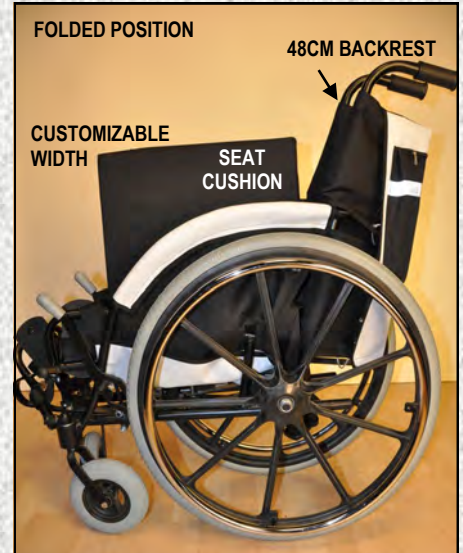
Kifas Ortopedik Ürünler San. ve Tic. Ltd. Sti



SECURE



SLEEK,
EASY-ACCESS,
CURVED
ARMRESTS



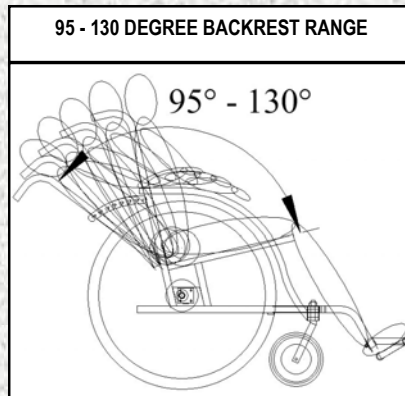
FOLDED POSITION
 48CM BACKREST
 CUSTOMIZABLE
WIDTH
 SEAT
CUSHION

SECURE FLEXI



6 BACKREST POSITIONS

OPTIONAL ARMRESTS



**ACCESSORIES
INDIVIDUALIZED FOR
SUPPORT & COMFORT**

- CURVED CRADLE HEADREST
- PADDED ARMRESTS
- LEG-SEPARATOR BLOCK
- REMOVABLE THERAPY TRAY
- CHEST SUPPORTS
- VARIETY OF SEAT CUSHIONS
- VARIETY OF BACK CUSHIONS
- ANTI-TIP WHEELS



CURVED
CRADLE
HEADREST

REMOVABLE
THERAPY TRAY



BACKREST AT FULL
130 DEGREE ANGLE

LEG
SLING

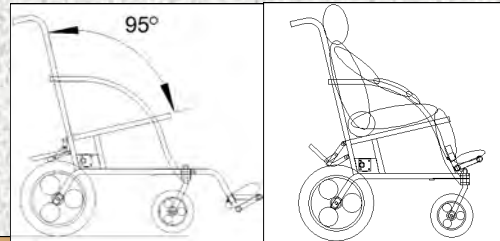
OPTIONAL PLASTIC
WHEEL RIMS



ANTI TIP WHEELS



SKUTER



SUPPORT-GIVING PUSH CHAIR FOR ALL AGES



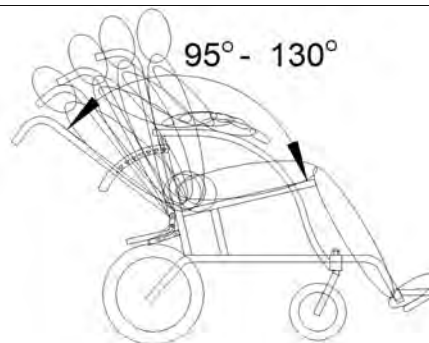
ACCESSORIES FOR INDIVIDUAL SUPPORT & COMFORT:

- SINGLE PALETTE FOOTREST
- ARMRESTS
- CURVED CRADLE HEADREST
- FLAT HEADREST
- SUNSHADE
- SIDE WEDGES
- LEG SLING
- REMOVABLE THERAPY TRAY
- BACKREST CUSHION



SKUTER FLEXI

BUILT-IN, HINGED ADJUSTABLE BACKREST



CUSTOM-MADE CHAIRS

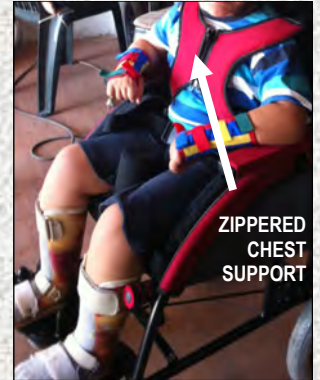
INCLUDED AND OPTIONAL ACCESSORIES



- ### STANDARD MECHANICAL FEATURES
- LIGHTWEIGHT TUBULAR CONSTRUCTION
 - HORIZONTAL FOLDING MECHANISM
 - ADJUSTABLE FOLDING (& ADULT SWIVELING) FOOTRESTS
 - PNEUMATIC FRONT & REAR WHEELS
 - ADJUSTABLE REAR WHEEL ANGLE (24" WHEELS)

- ### ACCESSORIES NOT SHOWN
- POLYURETHANE FRONT TIRES
 - POLYURETHANE REAR TIRES
 - WOODEN-BASE CUSHION
 - CORRECTIVE SEAT CUSHION

- ### INCLUDED UPHOLSTERY
- BACKREST
 - SEAT
 - SIDE MUD-GARDS
 - SEAT BELT
 - FOOTSTRAPS



	RANGE OF WIDTH ADJUSTABILITY (MINIMUM - MAXIMUM WIDTHS CM)						
CHILD	30	32,5	35	37,5	40		
ADULT			35	37,5	40	42,5	45
EXTRA LARGE						45	47,5 50

NOTE 1: ALL SPECIAL DESIGN REQUESTS ARE NOT INCLUDED IN **GUARANTEE** AND ARE THE SOLE RESPONSIBILITY OF THE PURCHASER, SUBJECT TO SEPARATE PRICING.

NOTE 2: ACCESSORIES SOLD WITH WHEELCHAIR NOT SUBJECT TO VAT. ITEMS SOLD SEPARATELY SUBJECT TO 18% VAT.

KİFAS ORTOPEDİK ÜRÜNLER SAN. VE TİC. LTD. ŞTİ.

İvedik O.S.B. Has Emek Koop. 1468 Cad. No:47 Yenimahalle / ANKARA 06370

Tel: +90 (312) 395 66 52 Faks: +90 (312) 395 6684Gsm/Whatsapp: +90 530 400 3450

www.kifas.com.tr

sales@kifas.com.tr